



**Ablatherm<sup>®</sup>**  
 **Robotic HIFU<sup>®</sup>**

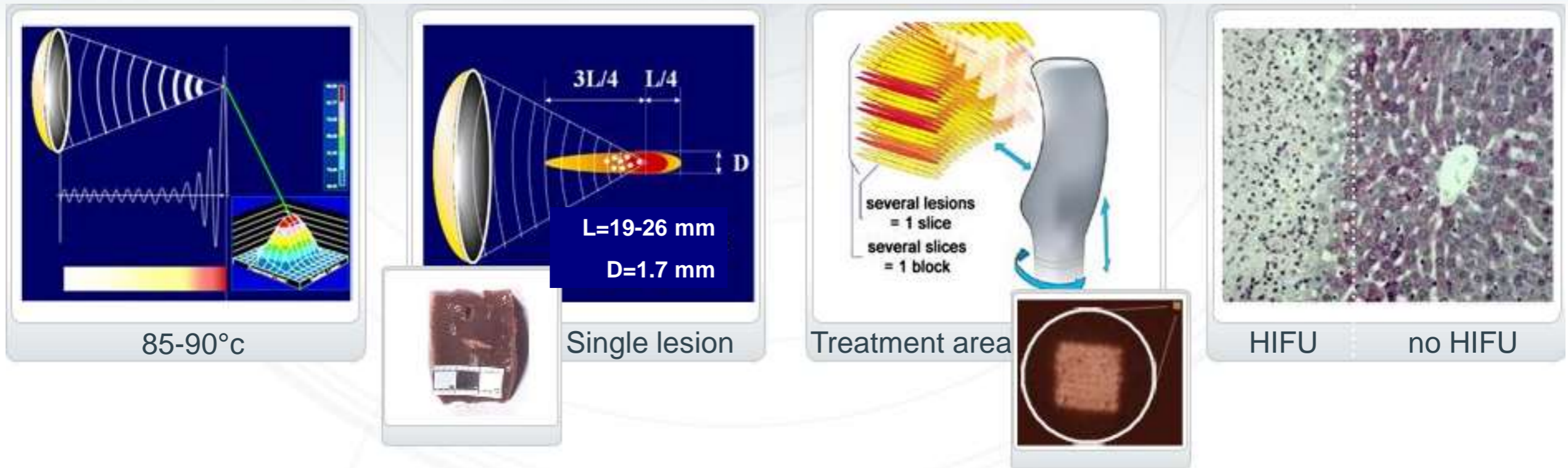
**Take control of  
your new  
robotic assistant**

<p><b>Ablatherm<sup>®</sup></b>  <b>Robotic HIFU<sup>®</sup></b> <i>Going the extra mile for your patients</i></p>	 <p><b>edap tms</b> Bringing New Horizons to Therapy</p>
---	---



- **First-line treatment:**
  - ✓ Complete
  - ✓ Focal
  - ✓ Nerve-sparing strategy
- **Treatment for local recurrence after:**
  - ✓ EBRT
  - ✓ Radical Prostatectomy
- **Palliative treatment**

# Ablatherm® HIFU: A new Era in therapy



Sharp  
temperature  
increase +  
cavitation  
mastered



**Precise & irreversible necrosis**



**Preservation of  
surrounding  
tissues**



# Robotic HIFU®: Take control of your new robotic assistant



## •2 modules

UNIQUE

- Treatment module -Patient comfort and procedure reliability
- Right lateral position to eliminate risk of gas interfering with ultrasound waves
- Control module - Urologist workstation

## •1 endorectal probe – 2 transducers

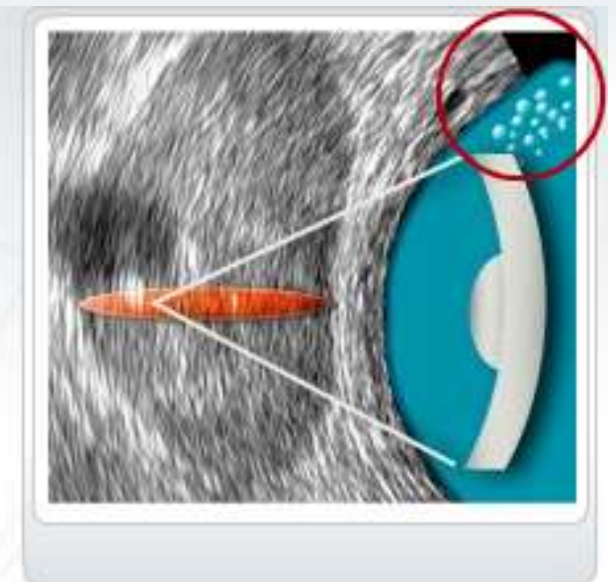
UNIQUE

- Real-time imaging transducer (Gold standard 7.5 MHz)
- Therapy transducer (3 MHz)

## •Ablapak® kit & Ablasonic®

UNIQUE

- No risk of cavitation. No risk of contamination
- Efficient rectal cooling
- Reproducible treatment



# Robotic HIFU®: **Take control of your new robotic assistant**



## •Variable lesion height: 19 to 26mm

**UNIQUE**

- The whole prostate can be treated in a single pass

## •3 treatment protocols:

**UNIQUE**

Pre-set algorithms according to patient medical story:

- First line / Repeat treatment / Salvage EBRT

## •3D automated movements

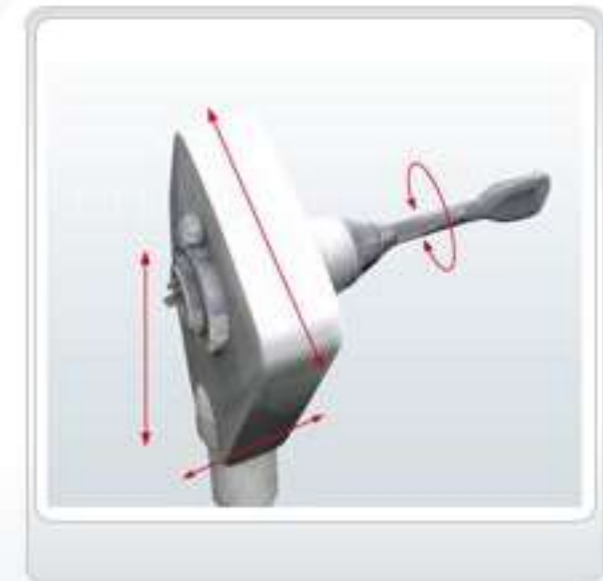
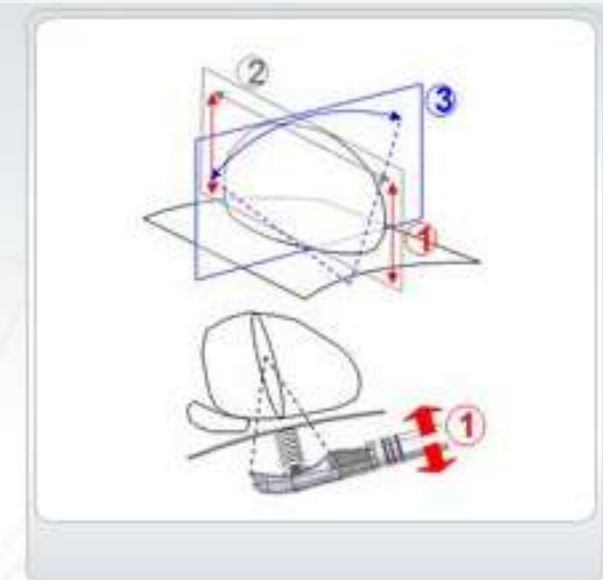
**UNIQUE**

- The probe is held on a fully motorized support.
- Micro steps movements in all axes

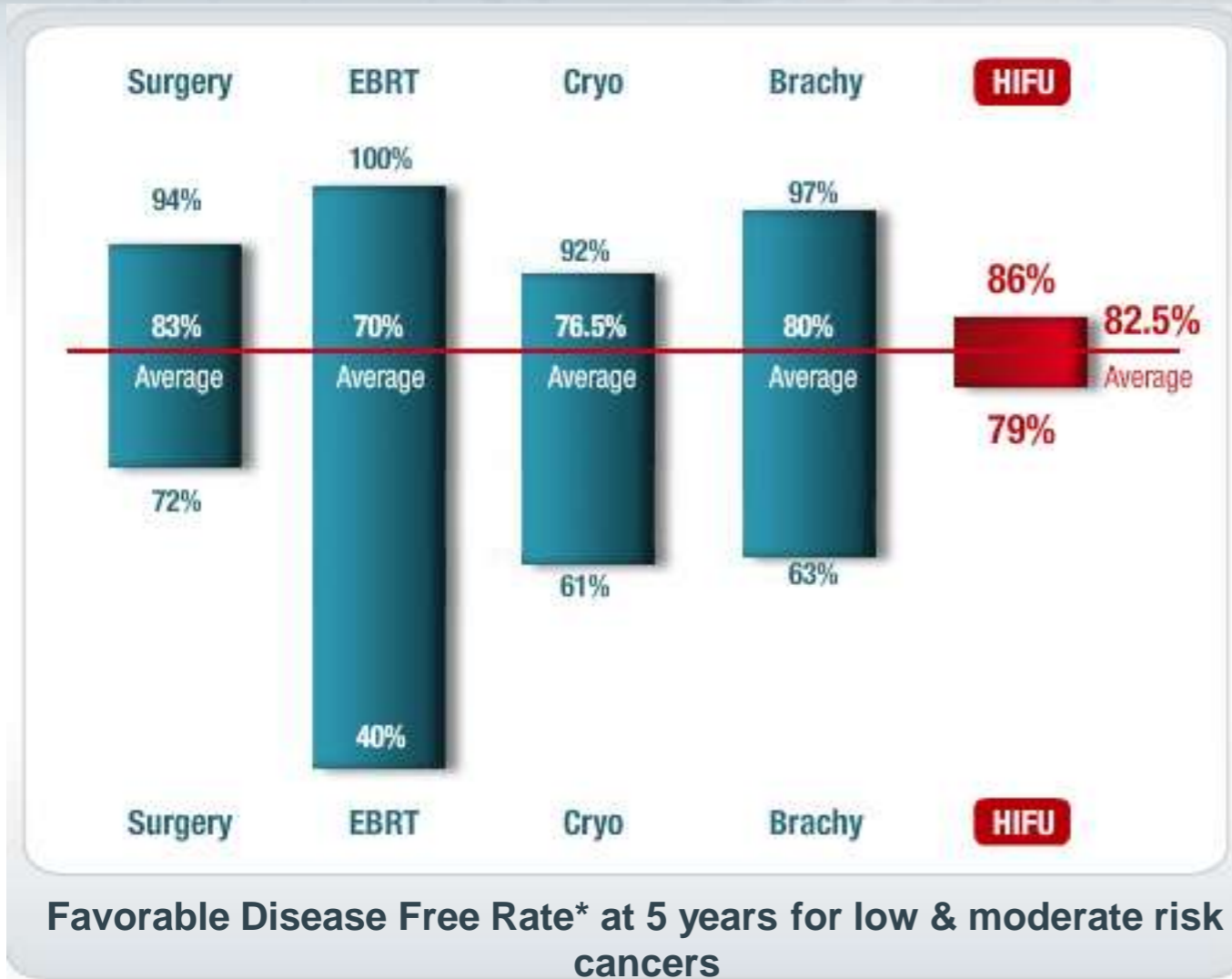
## •Automated safety features

**UNIQUE**

- Autofocus: dynamic adjustment of the focal point based on the rectal topography (Accuracy +/-1 mm).
- Infrared patient movement detector



# Ablatherm® HIFU: **Efficient, consistent, repeatable**



**Robotic HIFU®** **UNIQUE**

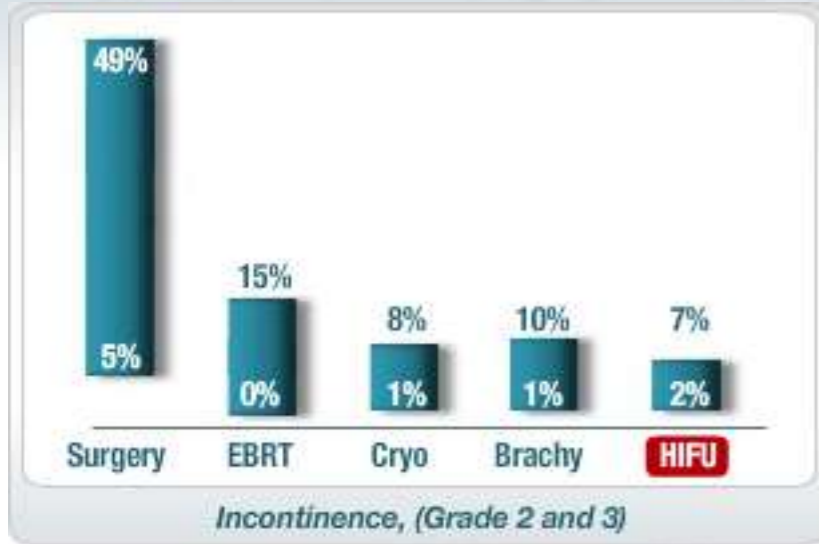
- Predictable and consistent outcomes
- Can be repeated if necessary
- **Outcomes out to eight years have shown non-inferiority to traditional therapies**

\* Clinical disease free rate defined as being as no biochemical evidence of disease.

Sources: Stokes et al Int J Radiat Oncol Biol Phys. 2000;47:129-36, Ciezki et al Int J Radiat Oncol Biol Phys. 2004;60:1347-50, De Meerleer et al Radiother Oncol. 2007;82:160-6, Goldner et al Strahlenther Onkol. 2006;182:537-42, Bahn et al, Urology. 2002 Aug;60(2 Suppl 1):3-11, Long et al, Urology. 2001 Mar;57:518-23, Merrick Int J Radiat Oncol Biol Phys. 2001; 51:41-8, Kwok et al Int J Radiat Oncol Biol Phys. 2002 Jul 1;53:588-94, Blana et al European Urol 2008; 53 1194-1203



# Ablatherm® HIFU: Low morbidity, quality of life



“87% of patients remain potent with a nerve-sparing strategy”

Robotic HIFU® **UNIQUE**

- Decreased incidence of side effects
- Predictable and consistent outcomes
- Preserved quality of life

Sources: Impotence: Blana et al Urology. 2004 63:297-300; Thuroff et al. J Endourol. 2003;17:673-7; Matalinska et al, J Clin Oncol. 2001;15:19:1619-28; Walsh et al, J Urol. 2000 ;163:1802-7; Potosky et al, J Natl Cancer Inst. 2000 92:1582-92; Matalinska et al, J Clin Oncol. 2001;19:1619-28; Bahn et al, Urology. 2002 ;60(2 Suppl 1):3-11; Donnelly et al, Urology. 2002;60:645-9; Incontinence: Ficarra et al, BJU Int. 2006 ;98:1193-8, Chaussy and Thuroff Curr Urol Rep. 2003;4:248-52,Steineck et al, N Engl J Med. 2002;12:347:790-6; 4. Abou-Elala et al, Eur J Surg Oncol. 2007; 33:96-101, Reis et al, Int Urol Nephrol. 2004;36:187-90, Feigenberg et al, Int J Radiat Oncol Biol Phys. 2005 15;62:956-64, Zelefsky et al, Int J Radiat Oncol Biol Phys. 2002; 1;53:1111-6, Brabbins et al, Int J Radiat Oncol Biol Phys. 2005 ;61:400-8, Long et al, Urology. 2001;57:518-23, Donnelly et al, Urology. 2002;60:645-9; Fistula Formation: . Poissonnier et al Prog Urol. 2003;13:60-72, Gillitzer et al J Urol. 2004;172:124-8, Shah et al. Dis Colon Rectum. 2004;47:1487-92, Chrouser et al J Urol. 2005;173(6):1953-7, Bahn et al, Urology. 2002;60(2 Suppl 1):3-11

## •Patients

- Preserved quality of life
- Proven efficacy
- Quick recovery / Shorter hospital stays

## •Surgeons

- Minimally-invasive solution meets patient demand
- Urology-driven solution for non-surgery candidates
- Fewer adverse events versus competitive technologies

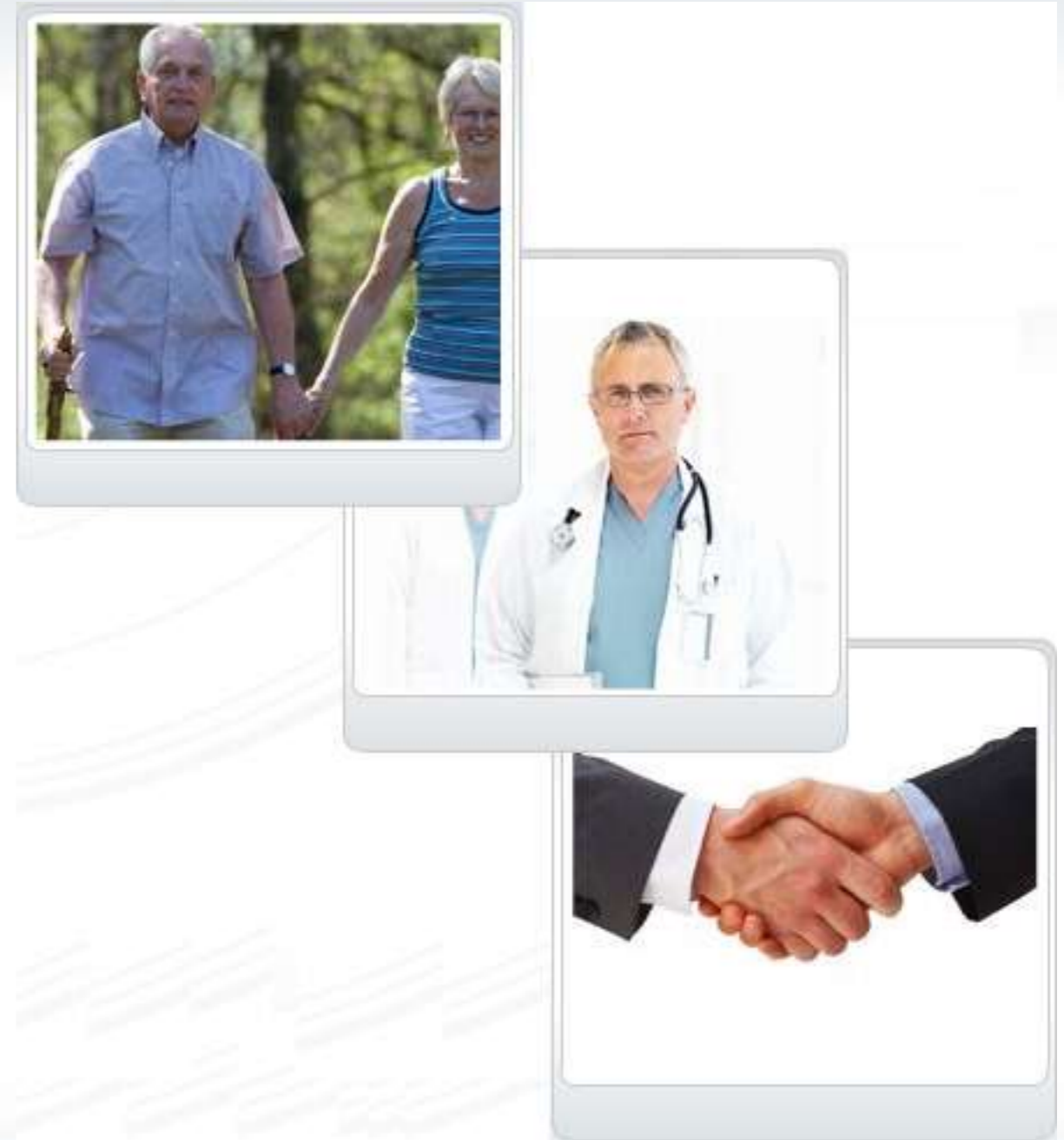
## •Hospitals

- Incremental patient traffic
- Profitable capital investment for large hospitals
- Immediate return via PPP\* model for small & medium hospitals

\*ppp = pay per use

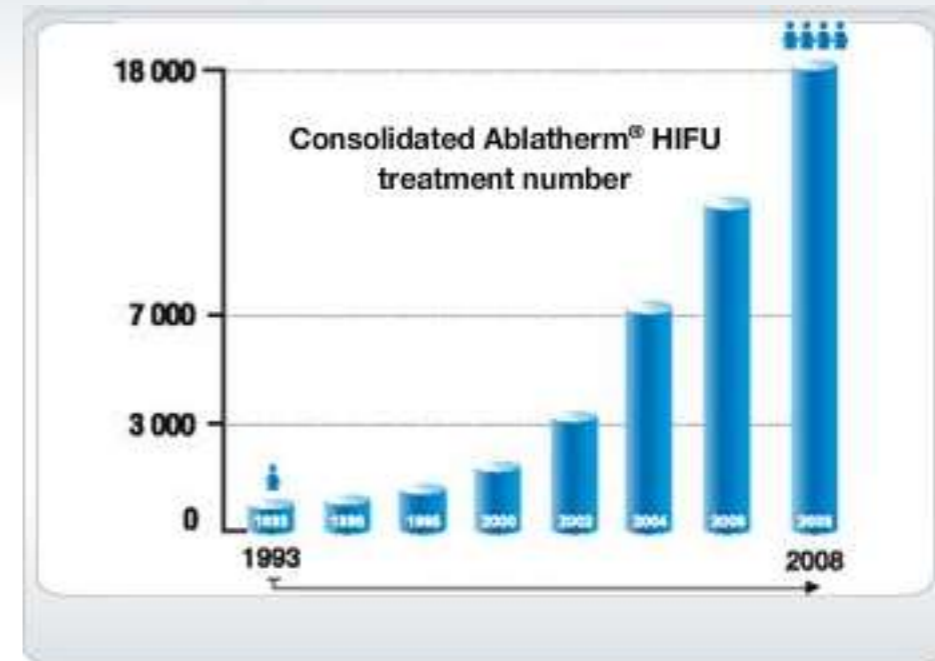
## •Healthcare systems

- Lower costs (less morbidity, reduced postoperative care)
- Shorter hospital stays





# Ablatherm® HIFU: **Broad and swift adoption**



- **Approved in:** E.U., Canada, Mexico, South America, Russia, Australia and New Zeland, and South East Asia
- **Defined as a standard therapy** by A.F.U (French Association of Urology, BJUI 2008)
- **35 peer reviewed articles** ([www.pubmed.gov](http://www.pubmed.gov))
- **Funded** in Germany, Italy and U.K.
- **U.S. PMA in progress**

**>500,000**

New localized prostate cancer cases are diagnosed every year worldwide.



Localized prostate cancer patients are **good candidates for Ablatherm® HIFU:**

Most patients are,

- Aware of side effects, recurrence with traditional therapies
- Educated about treatment alternatives and minimally invasive therapies
- Receptive to quality of life as primary consideration